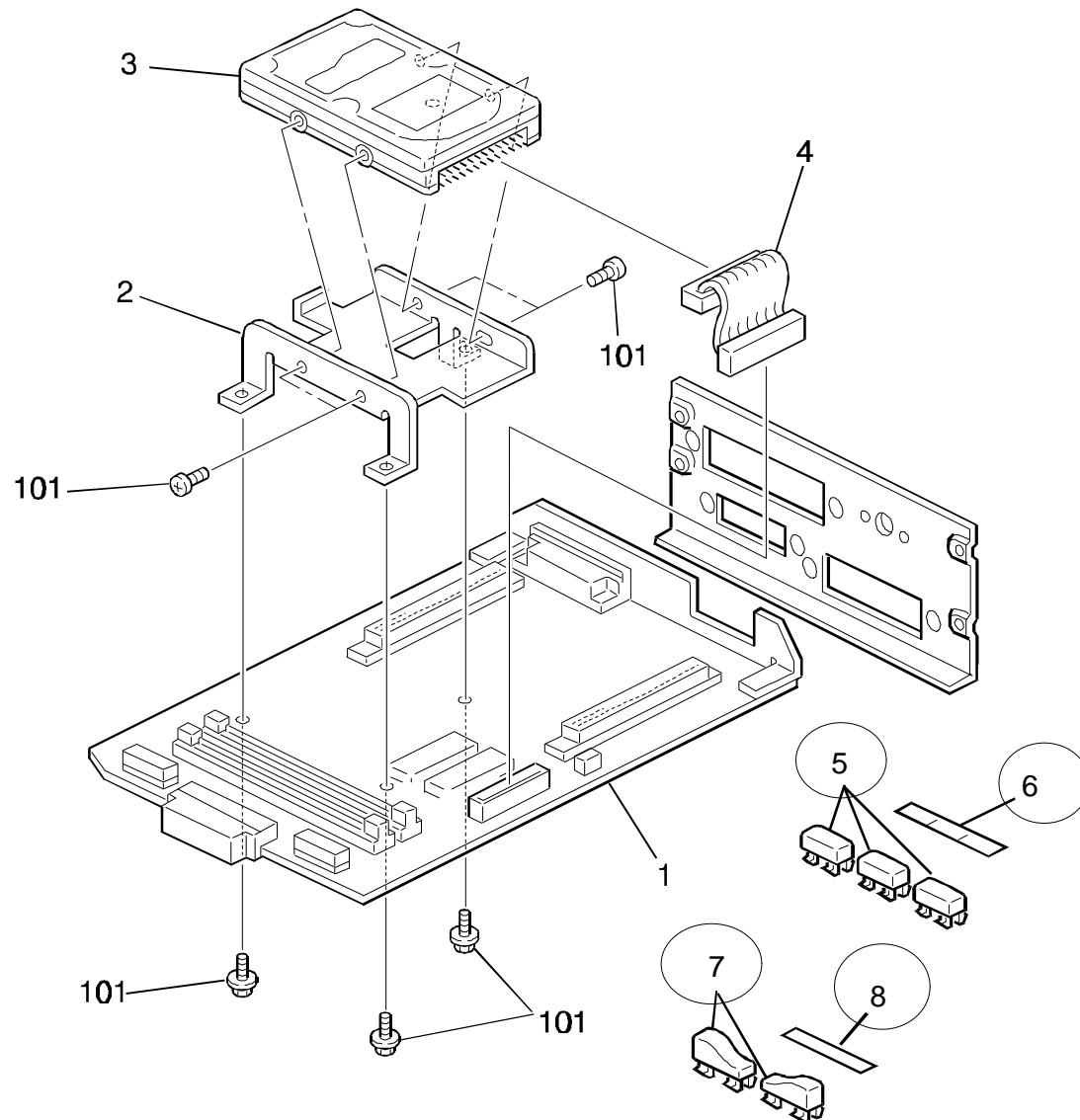


Model	Printer Controller Type 250	Volt/Hz	Date of Modification	Serial Number
Modified Article		No serial number cut-in information		
Reason for Modification	Parts catalog correction			

The following should be corrected. Please correct your part catalog.

1. The following parts have been added.

New Part Number	Description	Q'ty	Index No.	Page
A1961496	Keytop - Copy/Fax/Prn	1	5	25
A6391500	Decal - Copy/Fax/Prn	1	6	25
A1941496	Keytop - Copy/Prn	1	7	25
A6431493	Decal - Copy/Prn	1	8	25



for

S. Fujii, General Manager
2nd.Field Information Dept. QAC

Model: Printer Controller Type 250		Date: 17-Oct-97	No: 2
Modified Article: HDD Bracket for HDD Option		Prepared by: K.Ugaeri	
From: QAC Field Information Dept.			
Reason for Modification:	<input type="checkbox"/> Parts catalog correction	<input type="checkbox"/> Vendor change	<input type="checkbox"/> To meet standards
	<input type="checkbox"/> To facilitate assembly	<input checked="" type="checkbox"/> To improve reliability	()
	<input type="checkbox"/> Part standardization	<input type="checkbox"/> Other	

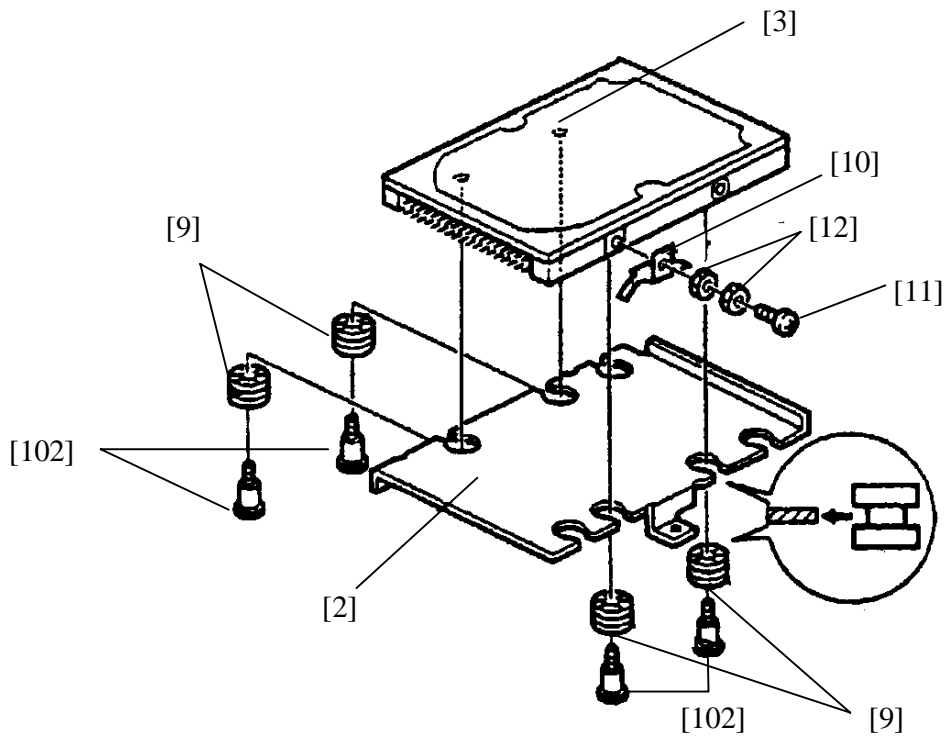
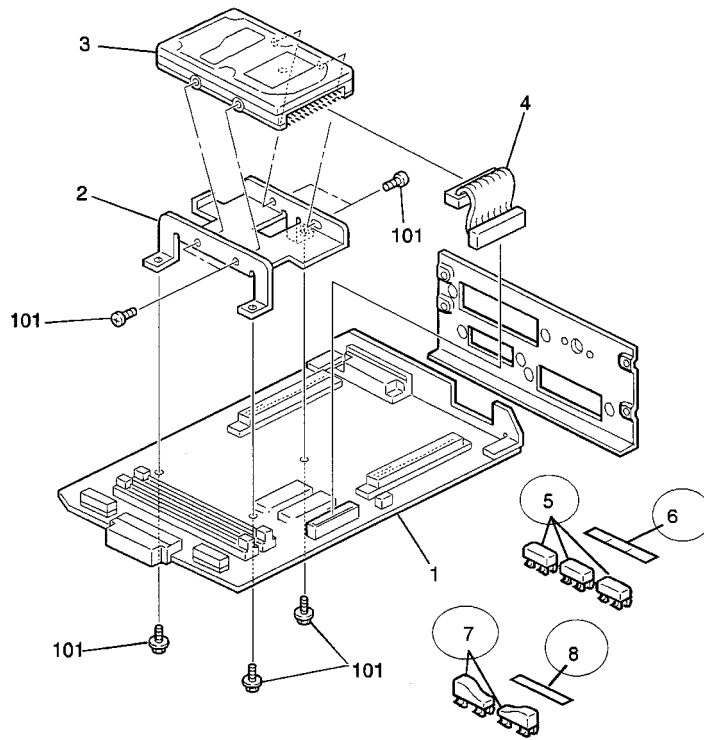
Old part number	New part number	Description	Qty	Index.No	Page
A1935840A	A1935840B	HDD Bracket	1→1	2	25
04513006B	A1935843	Stepped Screw	4→4	102	25
	AA161125	Bushing – HDD	0→4	9	25
	A1935842	Grounding Plate – HDD	0→1	10	25
	03130050B	Philips Pan Head Screw – M3x5	0→1	11	25
	07120030W	Not – M3	0→2	12	25
(A6438612A)	(A6438612B)	Instruction Guide	1→1	*	

* This is not a service part

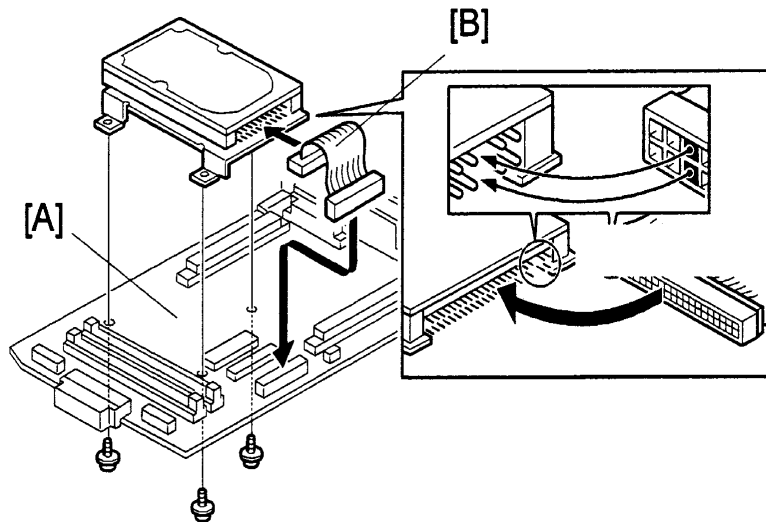
Cut-in serial Number

A732706000~

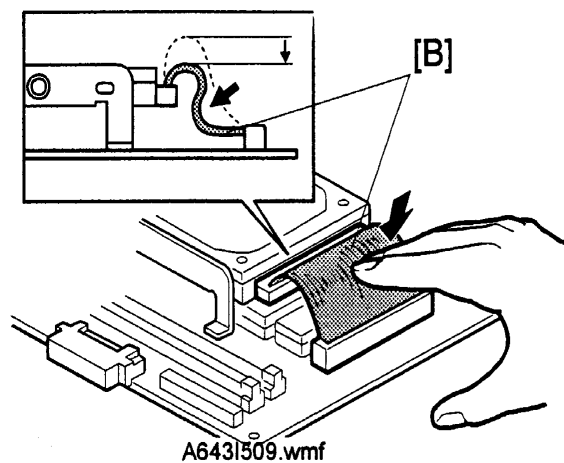




Model: Printer Controller Type 250	Date: 17-Oct-97	No: 2
------------------------------------	-----------------	-------



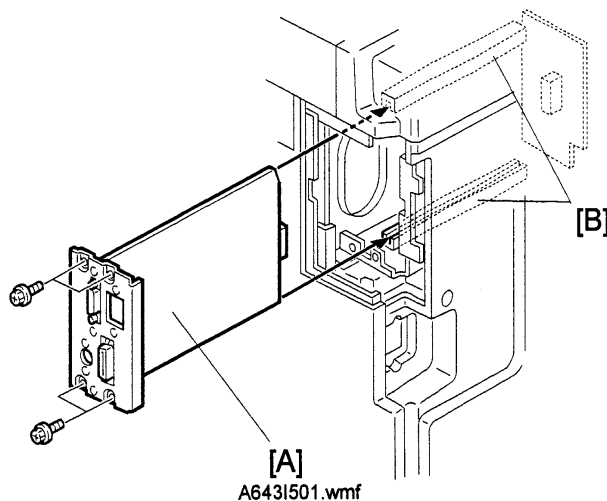
A6431510.wmf



A6431509.wmf

4. Attach the hard disk drive assembly to the controller board [A] (3 screws).
5. Connect the flat cable connector [B] from hard disk drive assembly to the controller board (2 connectors).

- NOTE:**
- Two of the connection holes on one end of the cable connector are filled. Connect this end to the HDD connector, as shown.
 - Be sure to position the flat cable [B] as shown. This prevents the cable from getting caught or damaged on the grounding plate.



6. Install the printer controller [A] along the guides [B]. (4 screws).
 7. Replace the interface cover (3 screws).
 8. Connect the interface cable from the interface connector on the printer controller to the computer.
 9. Plug in the power cord and turn on the ac and main switches.
 10. Ensure the printer controller is successfully installed with the following procedures.
 - A. Press the printer key to select the printer function, then the LCD should display "Ready PCL (PS or Auto)"
 - B. Press "Online," then the LCD displays the menu.
 - C. Select "Test" menu.
 - D. Select the "Cont Self Test."
 - E. Press "Start" to print the test pages, then press "Cancel" to stop.
- NOTE:** For more detailed information of the operation panel settings, refer to the operation manual.

If the hard disk drive is successfully installed, "HDD installed" is printed in the "Hard Disk" section on the test page.

If any problem occurred during step 10, reinstall the printer hard disk drive and the printer controller, then redo the tests.

Model: Printer Controller Type 250		Date: 17-Oct-97	No: 3
Modified Article: HDD for HDD option		Prepared by: K.Ugaeri	
From: QAC Field Information Dept.			
Reason for Modification:	<input type="checkbox"/> Parts catalog correction	<input checked="" type="checkbox"/> Vendor change	<input type="checkbox"/> To meet standards
	<input type="checkbox"/> To facilitate assembly	<input type="checkbox"/> To improve reliability	()
	<input type="checkbox"/> Part standardization	<input type="checkbox"/> Other	

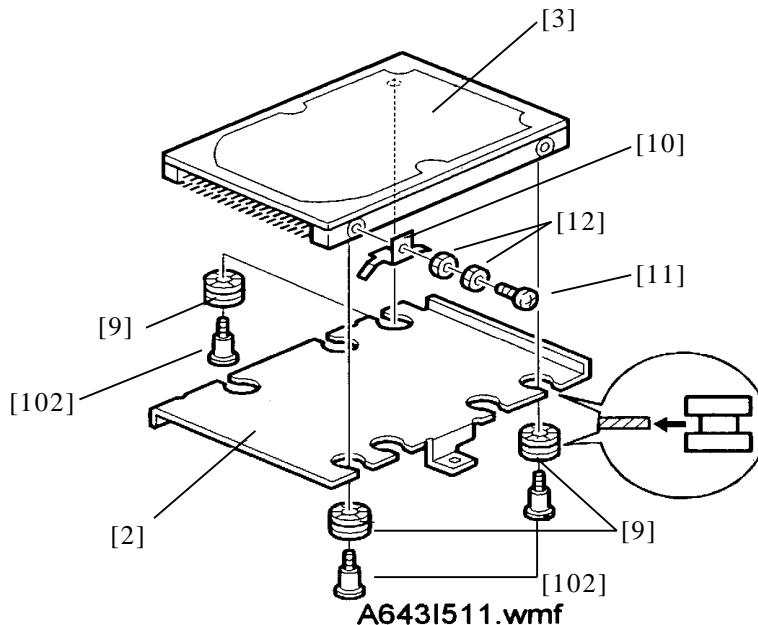
The HDD has been changed because the old HDD production was discontinued by the vender.

Because of this modification, the installation procedure has been changed. Please refer to the attached sheet.

Old part number	New part Number	Description	Q'ty	Index No	Page
G6905723	H5157119	HDD	1→1	3	25
(A6438612B)	(A6438613)	Instruction Guide	1→1	*This is not a service part	

Cut-in serial Number

A7327080001 ~



Printer Hard Disk Type 250 (Machine Code: A643)

INSTALLATION PROCEDURE

For Machine Code: A193 and A224 Copiers

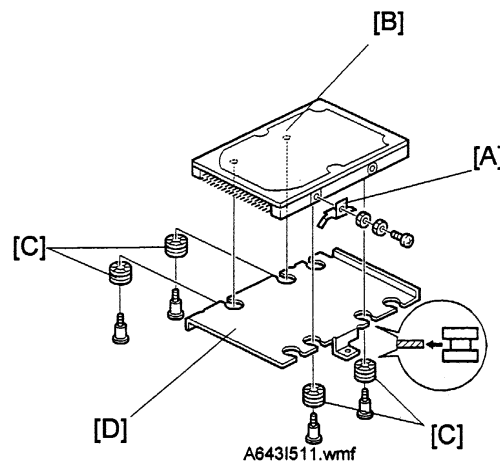
THIS OPTION MUST BE INSTALLED BY A CUSTOMER SERVICE REPRESENTATIVE WHO HAS COMPLETED THE TRAINING COURSE ON THE BASE COPIER AND THIS OPTION.

⚠ CAUTION

Before installing an optional unit, do the following:

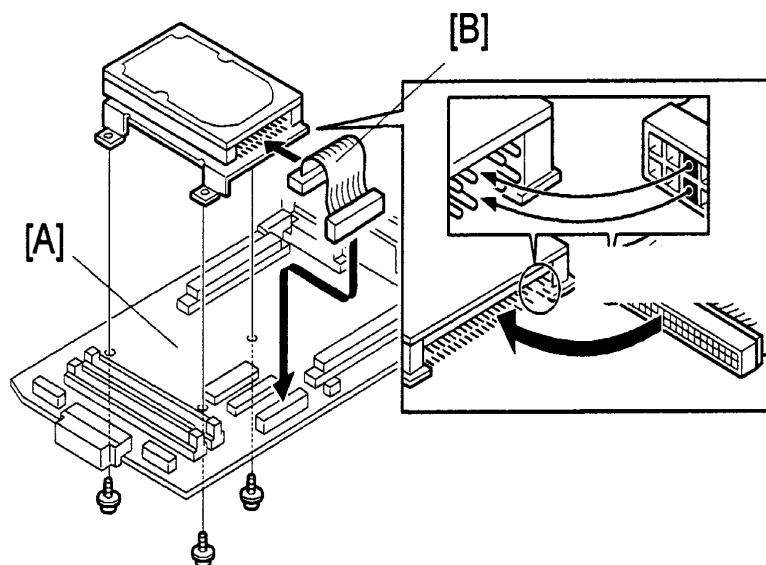
1. If the FAX unit is installed, print out all messages stored in the memory, the lists of user-programmed items, and the system parameter list.
2. Turn off the main and the ac switches, and disconnect the power cord.

- NOTE:**
- If the printer controller is already installed, remove the printer controller before attempting to install the printer hard disk.
 - At least 6MB of memory are required on the printer controller for hard disk installation.
If insufficient memory is installed in the printer controller, "Add memory 4MB or more," will be displayed.

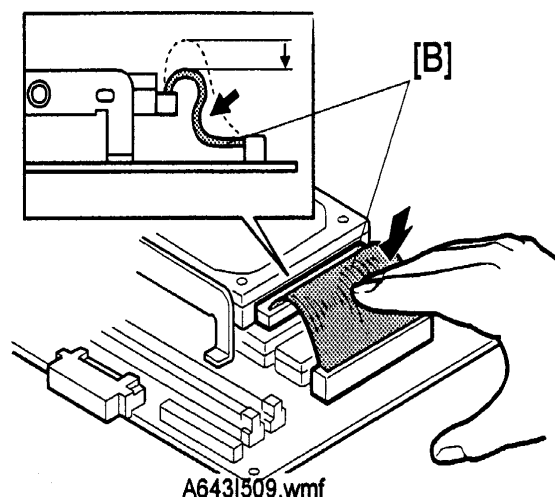


1. Attach the grounding plate [A] to the hard disk drive [B]. (1 screw, 2 nuts)
2. Attach the four rubber bushings [C] to the bracket [D], as shown.
3. Install the hard disk onto the bracket assembly (4 stepped screws).

Note: Ensure the grounding plate feet are in contact with the bracket.



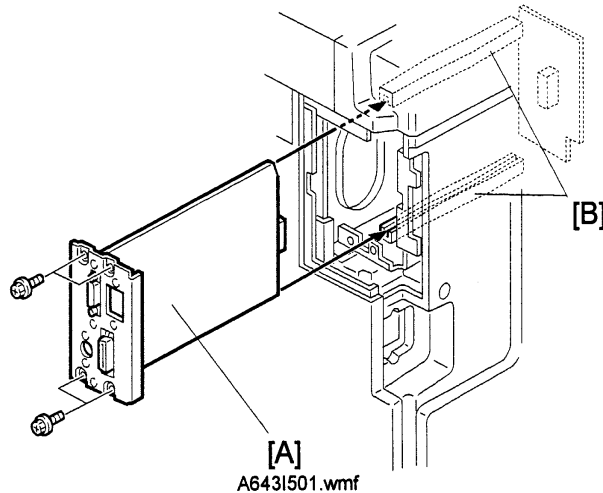
A6431510.wmf



A6431509.wmf

4. Attach the hard disk drive assembly to the controller board [A] (3 screws).
5. Connect the flat cable connector [B] from hard disk drive assembly to the controller board (2 connectors).

- NOTE:**
- Two of the connection holes on one end of the cable connector are filled. Connect this end to the HDD connector, as shown.
 - Be sure to position the flat cable [B] as shown. This prevents the cable from getting caught or damaged on the grounding plate.



6. Install the printer controller [A] along the guides [B]. (4 screws).
7. Replace the interface cover (3 screws).
8. Connect the interface cable from the interface connector on the printer controller to the computer.
9. Plug in the power cord and turn on the ac and main switches.
10. Ensure the printer controller is successfully installed with the following procedures.
 - A. Press the printer key to select the printer function, then the LCD should display "Ready PCL (PS or Auto)"
 - B. Press "Online," then the LCD displays the menu.
 - C. Select "Test" menu.
 - D. Select the "Cont Self Test."
 - E. Press "Start" to print the test pages, then press "Cancel" to stop.

NOTE: For more detailed information of the operation panel settings, refer to the operation manual.

If the hard disk drive is successfully installed, "HDD installed" is printed in the "Hard Disk" section on the test page.

If any problem occurred during step 10, reinstall the printer hard disk drive and the printer controller, then redo the tests.

Model: AD1 Printer Controller Type250		Date: 15-Oct-99	No.: MA643004
Modified Article: Printer Controller Board		Prepared by: K. Ugaeri	
From: Technical Service Dept., GTS Division			
Reason for Modification:	<input checked="" type="checkbox"/> Parts catalog correction	<input type="checkbox"/> Vendor change	<input type="checkbox"/> To meet standards ()
	<input type="checkbox"/> To facilitate assembly	<input type="checkbox"/> To improve reliability	
	<input type="checkbox"/> Part standardization	<input type="checkbox"/> Other	

The controller board is not registered as a service spare part. Please delete the part number from the parts catalog.

Old part number	New part number	Description	Q'ty	Int	Page	Index	Note
A6435110	(Deleted)	Printer Controller Board	1		25	1	

If the controller board is required, please use the option kit (which includes the bracket).